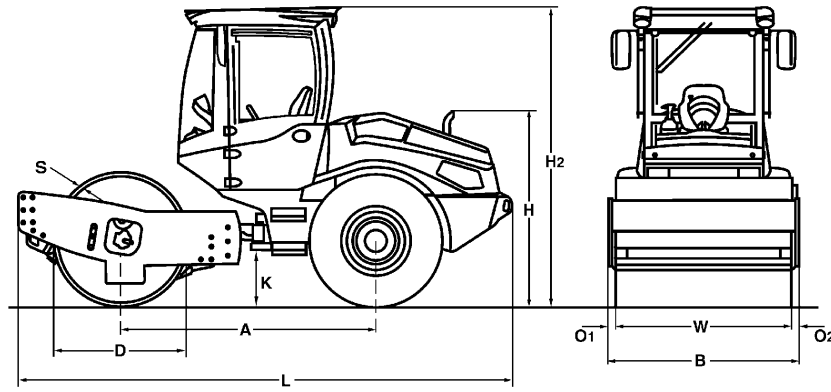


# TECHNICAL DATA

SINGLE DRUM ROLLERS

BW177 D-5





**Dimensions in mm**

	<b>A</b>	<b>B</b>	<b>D</b>	<b>H</b>	<b>H2</b>	<b>K</b>	<b>L</b>	<b>O1</b>	<b>O1</b>	<b>S</b>	<b>W</b>
<b>BW177 D-5</b>	2350	1820	1230	1654	2800	380	4550	65	65	20	1690

**Shipping dimensions in m3**

**BW177 D-5**

**without ROPS**

13,697

**with ROPS**

23,187

<b>Machine type</b>	<b>Compaction output (m3/h)</b>			
	<b>Rock fill</b>	<b>Gravel, sand</b>	<b>Mixed soil</b>	<b>Silt, clay</b>
BW177 D-5	-	210-420	160-320	70-140

<b>Machine type</b>	<b>Compacted layer thickness (m)</b>			
	<b>Rock fill</b>	<b>Gravel, sand</b>	<b>Mixed soil</b>	<b>Silt, clay</b>
BW177 D-5	-	0,45	0,35	0,15

## Technical Data

## BOMAG BW177 D-5

### Weights

Grossweight .....	kg	7.800
Operating weight CECE w. ROPS-cabin .....	kg	6.600
Axle load, drum CECE .....	kg	4.000
Axle load, wheels CECE .....	kg	2.600
Static linear load CECE .....	kg/cm	23,7

### Dimensions

Working width .....	mm	1.690
Track radius, inner .....	mm	2.975

### Driving Characteristics

Speed (1) .....	km/h	0- 4,0
Speed (2) .....	km/h	0- 5,0
Speed (3) .....	km/h	0- 7,0
Speed (4) .....	km/h	0- 10,0
Max. gradeability without/with vibr. ....	%	49/46

### Drive

Engine manufacturer .....		Deutz
Type .....		TD 2.9 L04
Emission stage .....		Stage V / TIER4f
Exhaust gas aftertreatment .....		DOC+DPF
Cooling .....		water
Number of cylinders .....		4
Performance ISO 3046 .....	kW	55,4
Performance SAE J 1995 .....	hp	75,0
Speed .....	min-1	2.400
Fuel .....		Diesel
Electric equipment .....	V	12
Drive system .....		hydrost.
Drum driven .....		standard

### Drums and Tyres

Tyre size .....		14.9-24/8PR
-----------------	--	-------------

### Brakes

Service brake .....		hydrost.
Parking brake .....		hydromec.

### Steering

Steering system .....		oscil.artic.
Steering method .....		hydrost.
Steering / oscillating angle +/- .....	grad	35/12

### Exciter system

Drive system .....		hydrost.
Frequency .....	Hz	29/32
Amplitude .....	mm	1,90/0,80
Centrifugal force .....	kN	112/74
Centrifugal force .....	t	11,4/7,5

### Capacities

Fuel .....	l	110,0
------------	---	-------

Technical modifications reserved. Machines may be shown with options.

### Standard Equipment

- BOMAG ECOMODE
- Self locking differential
- Rear axle with twin spring accumulator brakes
- Hydrostatic travel and vibration drive
- Hydrostatic articulated steering
- Articulated joint lock
- Warning, information and operation displays
- Single lever control for travel and vibration
- Emergency STOP
- Warning horn
- Back-up warning system
- 2 Contact scrapers Plastic

### Optional Equipment

- \* ROPS cabin with seat belts
- ROPS/FOPS with safety belt
- Tractor tires
- Indicator and hazard lights
- Rotary beacon
- Rearview camera
- Air condition
- Adjustable steering column
- Sliding window
- Radio (Bluetooth)
- BOMAG ECOSTOP
- ECONOMIZER
- TERRAMETER
- Printer for TERRAMETER
- BOMAG TELEMATIC
- Special painting
- Reversing alarm buzzer with broad band audio
- Padfoot segment kit
- Environmentally compliant hydraulic oil
- Measuring- and machine data interface for third-party suppliers
- LED Working lights (Cabin)

\* Standard delivery with CE conformity  
(valid within European Union)

